

T8 SLIMLINE



- Instant Starting Options
- 1-2 Lamp Applications
- 8' T8 SLIMLINE

TRIAD® ELECTRONIC BALLASTS

FOR (1) AND (2)
F96T8 LAMPS

Fluorescent-Electronic

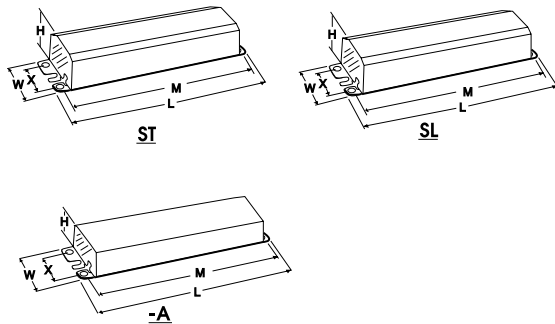
Qty.	Lamp Starting Method	Line Volts	Catalog Number	Certification			Line Current (Amps)	Input Power (Watts)	Power Factor (PF)	Ballast Factor (BF)	Ballast Efficacy Factor (BEF)	THD %	Min. F/C Start Temp	Wiring Diag.	Dim.
				UL	SF	NOM									
F96T8 - One Lamp Applications															
1	IS	120	B159I120RH	•	•		0.52	58	> .96	0.88	1.52	< 20	50/10	13	ST
		277	B159I277RH	•	•		0.22	58	> .96	0.88	1.52	< 20	50/10	13	ST
		120	B259I120RH	•	•	•	0.62	68	> .97	1.05	1.54	< 25	50/10	14	ST
		277	B259I277RH	•	•	•	0.26	68	> .97	1.05	1.54	< 20	50/10	14	ST
		120	B259I120HPL	•	•		0.51	60	> .98	0.92	1.53	< 10	50/10	14	ST
		277	B259I277HPL	•	•		0.22	60	> .98	0.92	1.53	< 10	50/10	14	ST
		120	B259IUNVHP-A	•	•	•	0.60	72	> .99		1.50	< 10	32/0	14	-A
		277	B259IUNVHP-A	•	•	•	0.26	71	> .98		1.52	< 10	32/0	14	-A
		347	B259I347HP	•	•		0.20	68	> .97	1.05	1.54	< 10	32/0	14	ST
		120	B259I120HE	•	•		0.58	69	> .97	1.05	1.53	< 10	32/0	13	ST
277	B259I277HE	•	•		0.25	69	> .97	1.05	1.52	< 10	32/0	13	ST		
F96T8 - Two Lamp Applications															
2	PAR-IS	120	B259I120RH	•	•	•	0.95	112	> .98	0.88	0.79	< 20	50/10	14	ST
		277	B259I277RH	•	•	•	0.41	112	> .98	0.88	0.79	< 20	50/10	14	ST
		120	B259I120RHH	•	•		1.30	150	> .98	1.18	0.79	< 20	32/0	14	SL
		277	B259I277RHH	•	•		0.56	150	> .98	1.18	0.79	< 20	32/0	14	SL
		120	B259I120HPL	•	•		0.84	100	> .98	0.78	0.78	< 10	50/10	14	ST
		277	B259I277HPL	•	•		0.36	100	> .98	0.78	0.78	< 10	50/10	14	ST
		120	B259IUNVHP-A	•	•	•	0.95	113	> .99		0.78	< 10	32/0	14	-A
		277	B259IUNVHP-A	•	•	•	0.40	110	> .98		0.80	< 10	32/0	14	-A
		347	B259I347HP	•	•		0.33	113	> .99	0.89	0.79	< 10	32/0	14	ST
		120	B259I120HE	•	•		0.92	111	> .99	0.88	0.79	< 10	32/0	14	ST
277	B259I277HE	•	•		0.40	109	> .99	0.88	0.81	< 10	32/0	14	ST		

IS = Instant Start
PRS = Programmed Rapid Start
RS = Rapid Start

STARTING METHOD LEGEND
PAR-IS = Parallel Instant Start
PAR-PRS = Parallel Programmed Rapid Start

PAR-RS = Parallel Rapid Start
SER-RS = Series Rapid Start

Overall Dimensions		Mounting Dimensions			
Draw #	L	W	H	M	X
ST	9.50"	2.40"	1.55"	8.89"	1.69"
SL	11.75"	3.13"	1.78"	11.14"	2.00"
-A	9.50"	1.70"	1.18"	8.89"	1.69"



WIRING DIAGRAMS

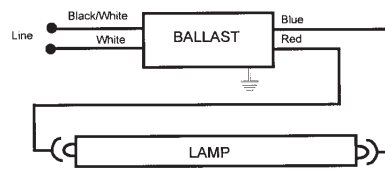
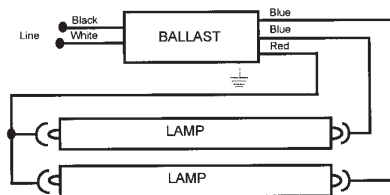


DIAGRAM 13



For One Lamp Operation, Insulate one blue lead to 600V

DIAGRAM 14